

3-WAY INVISIBLE IN-WALL OR IN-CEILING LOUDSPEAKER

Recommended Applications:

- Home Theater / Surround Sound
- High End Multi-Room Audio Systems
- Foreground Music
- Background Music
- Voice Paging
- Sound Reinforcement

Recommended Installations:

Flush mounted in walls or ceilings constructed of wood or steel framing with 1/2" (12.7 mm) or thicker gypsum wallboard. Minimum 2-1/2" (63.5 mm) cavity depth required.

Performance:

- 200 watts RMS
- 40Hz to 20kHz (see Figure 1)
- 75W minimum recommended power

Protection:

Three independent self-resetting circuits (low, mid-range and high frequency).

On-Site Finish Options:

Finish options include latex paint, flat finish, orange peel texture, light plaster, light wallpaper, light fabric, wood veneer, and other selected approved finishes.



Front view

Rear view

LINEAR RESPONSE

INVISIBLE SPEAKERS

The Stealth Acoustics Model LR3G is a three-way, full-range loudspeaker system that becomes completely invisible after installation. The loudspeaker has a rigid frame that attaches directly to standard structural framing. The paintable active diaphragm face is bonded to the frame of the speaker panel, creating an active area surrounded by a stable mounting area. Installation instructions are shown on a paper overlay that is to be removed before installation. The overlay can also be used as a cutting template for retrofitting the speakers into existing wallboard.

The LR3G may be installed in either the wall or ceiling and on-site finishing options include latex paint, light wallpaper, fabrics and selected texture coats. There is no need for special vellums or other non-standard wallboard finishing materials. Advanced finishing methods may be supported using special techniques.

The Stealth Acoustics LR3G incorporates an acoustically coupled high quality, high-power 8" cone woofer and direct coupled 25 mm neo-magnet high-frequency motors. Advanced internal carbon fiber materials allow for smooth frequency extension to 20 kHz. When the LR3G is installed in standard insulated 2" x 4" framing and allowed to function in a full 8 foot stud bay, frequency response below 40 Hz can be achieved. The LR3G contains three independent protection circuits (low, mid-range and high frequency sections) that automatically reset upon reduction of excessive amplifier power.

For proper registration, each speaker must be installed so that the surface of the **perimeter edge is flush** with the adjoining wallboard. When correctly in place, the surface of the speaker **face panel extends above** the height of the

wallboard by 1/16" (1.6 mm). This is done to allow space for the tape and joint compound needed to blend the panel into the wall. Shims are included to allow for mounting in wallboard thicker than 1/2" (9.5 mm).

Stealth Acoustics' invisibility offers a powerful advantage over traditional loudspeakers because they can be placed wherever they sound best, free of visual concerns that may conflict with architectural features. Accompanying the full range panels, Stealth Acoustics offers the B22G and B30G – completely invisible companion subwoofers for extended low frequency response.

All Stealth Acoustics products are covered by a 5 year manufacturer's warranty as well as an optional 15 year extended warranty. The LR3G also has 100, 70 and 25 volt constant voltage transformers available as factory installed options.

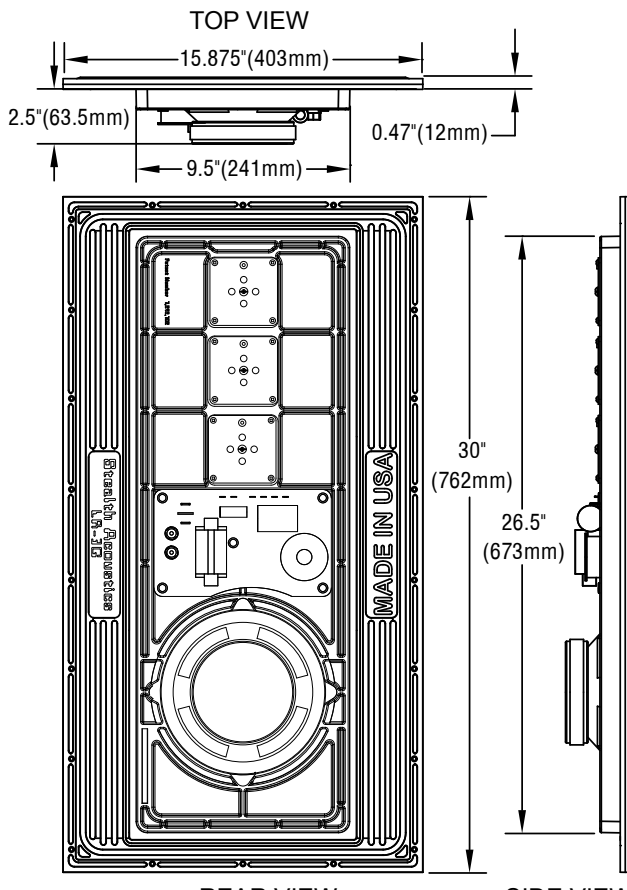


Architectural & Engineering Specifications

The loudspeaker shall be a two-way, full-range device, producing frequencies from 40Hz to 20kHz. The total radiating surface shall be 480 sq. in (3097 sq. cm) and high frequency dispersion shall be a nominal 170 degrees in both horizontal and vertical planes. The loudspeaker system shall have a sensitivity of 83 dB, 1 watt / 1 meter, with a capacity of 200 watts RMS according to EIA standard RS-426-A. The loudspeaker shall have three independent self-resetting protection devices, one each for the high-frequency, midrange, and low-frequency drivers

The loudspeaker shall fit into walls and ceilings with wood or steel stud construction and a standard 2-1/2" (63.5 mm) depth cavity. The loudspeaker shall mount directly to the structural framing and have the capability of seamlessly adjoining 1/2" (9.5 mm) or thicker gypsum wallboard. The minimum distance between framing members shall be 9-1/2" (241 mm). Face panel finishing methods shall be consistent with normal gypsum wallboard finishing techniques and may include latex paint, light wallpaper, light fabric and other selected approved finishes.

The loudspeaker shall be the Stealth Acoustics Model LR3G and shall carry a 5 year manufacturer's warranty.



Product Specifications

Frequency Response:

40Hz to 20kHz (see Figure 1)

Power Capacity:

200 watts RMS

75 watts minimum recommended power

Protection:

Three independent self-resetting devices (low, mid and high frequency)

Sensitivity:

83 dB (1 watt / 1 meter)

Driver Components:

High frequency: 1" (25 mm) neodymium motor

Midrange frequency: Two 1" (25 mm) neodymium motors

Low-frequency: 1.5" (38 mm) voice coil, 8" (203 mm) woofer

Ceramic 20 oz. (622 gr) magnet

System Impedance:

8Ω nominal

Polar Dispersion:

170 degrees vertical and horizontal

Dimensions:

Width: 15-7/8" (403 mm)

Height: 30" (762 mm)

Mounting Depth: 2-1/2" (63.5 mm)

Product Weight:

20 lbs. (9.1 kg)

Shipping Weight:

43 lbs. (19.5 kg) per pair

26 lbs. (11.8 kg) per single

Included Accessories:

Mounting shims

Mounting screws

Terminal wrench

Optional Accessories:

PS-30 PlaceSaver™

BX-30 MDF Acoustic Back Box

MBX-30 UL Listed Metal Back Box

MBA-30 UL Listed Metal Back Box - Adjustable

MBC-30 Concrete Back Box

SK-1 Shim Kit

CVXMR 100, 75 and 25 volt Constant Voltage Xfmr

WARRANTY Extended Warranty - 15 year

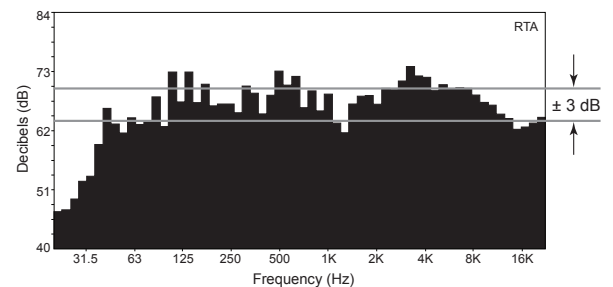


Figure 1: On-axis frequency response in standard stud wall with four coats of latex paint applied to the speaker face panel.